

NOTES:

1. TORQUE RATINGS, Nm :

PART NUMBER	SYMMETRIC TORQUE
QM12-1050-00	0.0
QM12-1050-09	0.9
QM12-1050-18	1.8
QM12-1050-23	2.3
QM12-1050-34	3.4

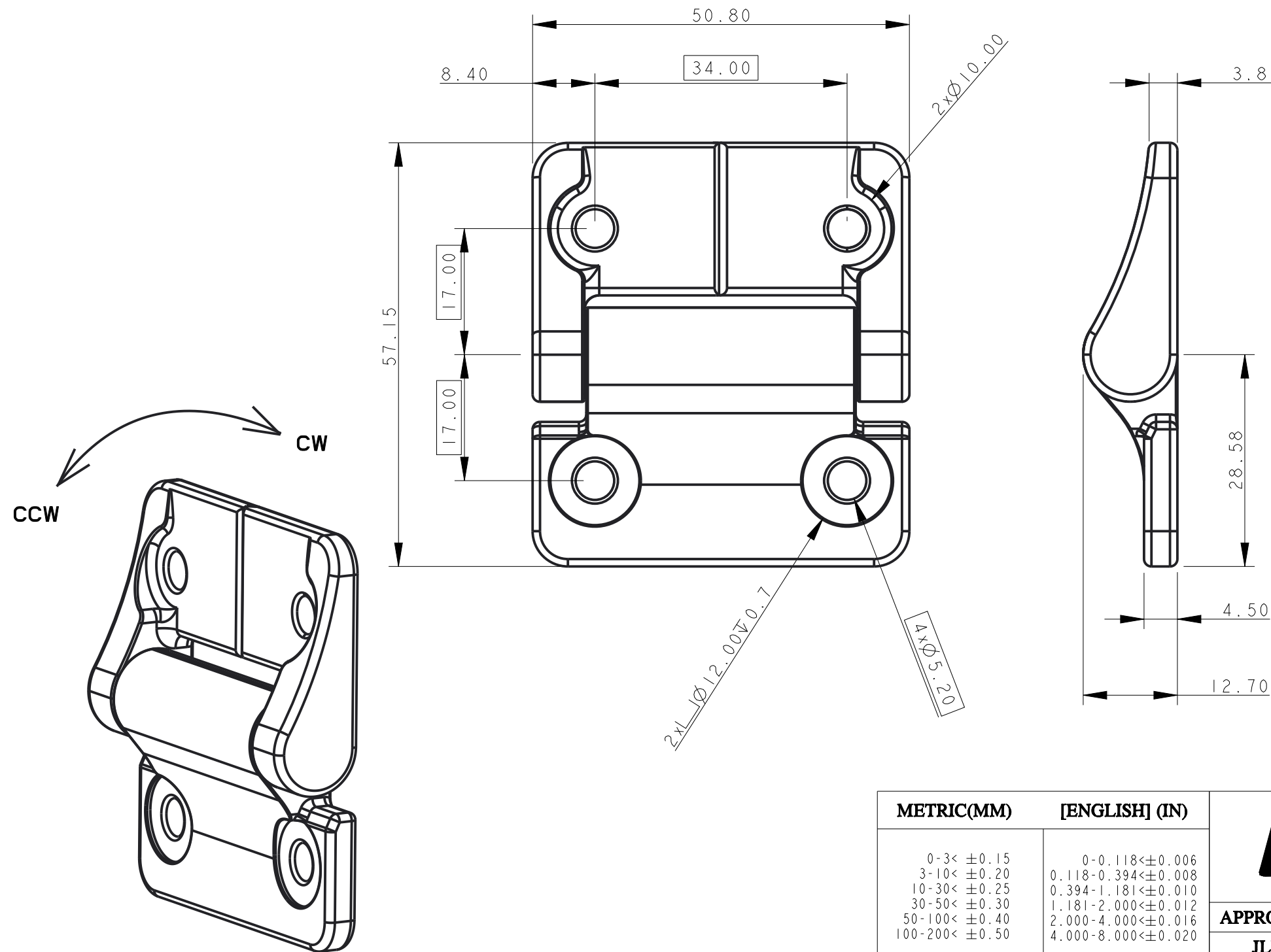
PART NUMBER	ASYMMETRIC CW TORQUE	ASYMMETRIC CCW TORQUE
QM12-2050-23	2.3	1.5
QM12-2050-34	3.4	2.3
QM12-2050-41	4.1	2.7
QM12-3050-23	1.5	2.3
QM12-3050-34	2.3	3.4
QM12-3050-41	2.7	4.1

2. CYCLE LIFE:
WITHIN 25,000 CYCLES STATIC TORQUE STAY WITHIN ±20% OF TORQUE SPECIFICATION.

3. FINISH:
A. NATURE
B. BLACK PAINT
C. CHROME PLATING

4. 270 DEGREE SHAFT ROTATION

5. OIL RING SEALS FOR PROTECTION AGAINST ENVIRONMENT CONTAMINATION



METRIC(MM)	[ENGLISH] (IN)	LEEEO		DWG NO.	
0-3< ±0.15 3-10< ±0.20 10-30< ±0.25 30-50< ±0.30 50-100< ±0.40 100-200< ±0.50	0-0.118<±0.006 0.118-0.394<±0.008 0.394-1.181<±0.010 1.181-2.000<±0.012 2.000-4.000<±0.016 4.000-8.000<±0.020			QM12-x050-xx	
PROPRIETY ITEM - ALL INFORMATION DISCLOSED HEREON IS CONFIDENTIAL AND ALL RIGHTS PATENT AND OTHERWISE ARE RESERVED BY LEEEO TECHNOLOGIES CORPORATION		APPROVED	DRAWN	TITLE	
		JLIU	BCHEN		
				MATERIAL	
				STEEL & ZINC	
		SHEET 1 OF 1	SCALE: 1.000	REV	A3

