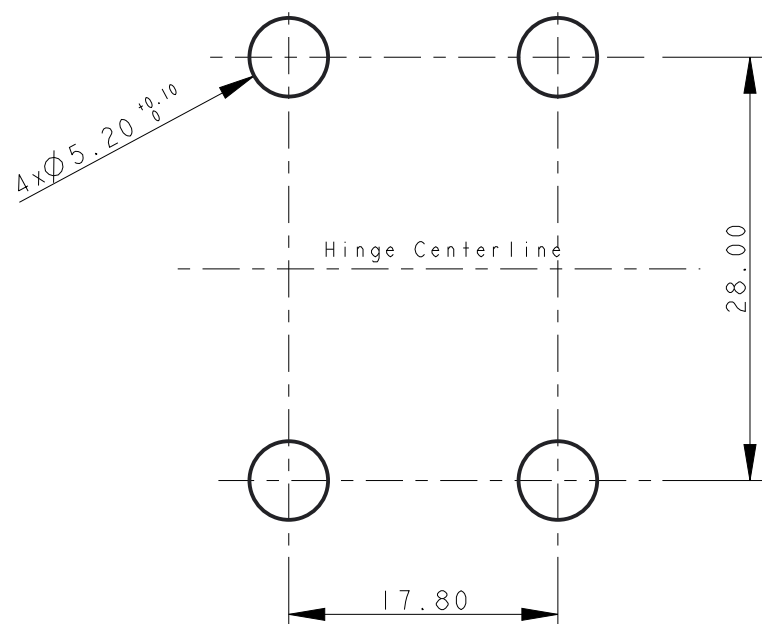


MOUNTING CONFIGURATION



NOTES:

1. TORQUE RATINGS, Nm :

PART NUMBER	SYMMETRIC TORQUE
QM10-1100-00	0.0
QM10-1100-09	0.9
QM10-1100-14	1.4
QM10-1100-18	1.8
QM10-1100-23	2.3
QM10-1100-27	2.7

PART NUMBER	ASYMMETRIC CW TORQUE	ASYMMETRIC CCW TORQUE
QM10-2100-14	1.4	0.9
QM10-2100-18	1.8	1.2
QM10-2100-23	2.3	1.5
QM10-2100-27	2.7	1.8
QM10-2100-34	3.4	2.3
QM10-3100-14	0.9	1.4
QM10-3100-18	1.2	1.8
QM10-3100-23	1.5	2.3
QM10-3100-27	1.8	2.7
QM10-3100-34	2.3	3.4

2. CYCLE LIFE:

WITHIN 25,000 CYCLES STATIC TORQUE STAY WITHIN ±20% OF TORQUE SPECIFICATION.

3. FINISH:

- A. NATURE
- B. BLACK PAINT
- C. CHROME PLATING

4. 270 DEGREE SHAFT ROTATION

5. OIL RING SEALS FOR PROTECTION AGAINST ENVIRONMENT CONTAMINATION

6. MATERIAL:

ZINC ALLOY, STEEL, GREASE AND O-RING

METRIC(MM) 0-3 < ±0.15 3-10 < ±0.20 10-30 < ±0.25 30-50 < ±0.30 50-100 < ±0.40 100-200 < ±0.50	[ENGLISH] (IN) 0-0.118 < ±0.006 0.118-0.394 < ±0.008 0.394-1.181 < ±0.010 1.181-2.000 < ±0.012 2.000-4.000 < ±0.016 4.000-8.000 < ±0.020	<h1>LEEEO</h1>		DWG NO. QM10-x100-xx	
				TITLE QM10	
PROPRIETY ITEM - ALL INFORMATION DISCLOSED HEREON IS CONFIDENTIAL AND ALL RIGHTS PATENT AND OTHERWISE ARE RESERVED BY LEEEO TECHNOLOGIES CORPORATION		APPROVED JLIU	DRAWN BCHEN	MATERIAL STEEL & ZINC	
		SHEET 1 OF 1	SCALE: 1.000	REV	A3

