

NOTES:

1. TORQUE RATINGS, Nm :

PART NUMBER	SYMMETRIC TORQUE
QM10A-1038-00L	0.0
QM10A-1038-09L	0.9
QM10A-1038-14L	1.4
QM10A-1038-18L	1.8
QM10A-1038-23L	2.3
QM10A-1038-27L	2.7

PART NUMBER	ASYMMETRIC CW TORQUE	ASYMMETRIC CCW TORQUE
QM10A-2038-14L	1.4	0.9
QM10A-2038-18L	1.8	1.2
QM10A-2038-23L	2.3	1.5
QM10A-2038-27L	2.7	1.8
QM10A-2038-34L	3.4	2.3
QM10A-3038-14L	0.9	1.4
QM10A-3038-18L	1.2	1.8
QM10A-3038-23L	1.5	2.3
QM10A-3038-27L	1.8	2.7
QM10A-3038-34L	2.3	3.4

2. CYCLE LIFE:

WITHIN 25,000 CYCLES STATIC TORQUE STAY WITHIN ±20% OF TORQUE SPECIFICATION.

3. FINISH:

A. NATURE B. BLACK PAINT

4. 360 DEGREE SHAFT ROTATION

5. OIL RING SEALS FOR PROTECTION AGAINST ENVIRONMENT CONTAMINATION

6. MATERIAL:

ZINC ALLOY, STEEL, GREASE AND O-RING

METRIC(MM)	[ENGLISH] (IN)	LEEEO		DWG NO.	
0-3 < ±0.15	0-0.118 < ±0.006			QM10A-x038-xxL	
3-10 < ±0.20	0.118-0.394 < ±0.008	TITLE			
10-30 < ±0.25	0.394-1.181 < ±0.010			QM10A LEFT	
30-50 < ±0.30	1.181-2.000 < ±0.012	APPROVED		MATERIAL	
50-100 < ±0.40	2.000-4.000 < ±0.016				
100-200 < ±0.50	4.000-8.000 < ±0.020	JLIU	BCHEN	REV	
PROPRIETY ITEM - ALL INFORMATION DISCLOSED HEREON IS CONFIDENTIAL AND ALL RIGHTS PATENT AND OTHERWISE ARE RESERVED BY LEEEO TECHNOLOGIES CORPORATION		SHEET 1 OF 1			



NOTES:

1. TORQUE RATINGS, Nm :

PART NUMBER	SYMMETRIC TORQUE
QM10A-1038-00R	0.0
QM10A-1038-09R	0.9
QM10A-1038-14R	1.4
QM10A-1038-18R	1.8
QM10A-1038-23R	2.3
QM10A-1038-27R	2.7

PART NUMBER	ASYMMETRIC CW TORQUE	ASYMMETRIC CCW TORQUE
QM10A-2038-14R	1.4	0.9
QM10A-2038-18R	1.8	1.2
QM10A-2038-23R	2.3	1.5
QM10A-2038-27R	2.7	1.8
QM10A-2038-34R	3.4	2.3
QM10A-3038-14R	0.9	1.4
QM10A-3038-18R	1.2	1.8
QM10A-3038-23R	1.5	2.3
QM10A-3038-27R	1.8	2.7
QM10A-3038-34R	2.3	3.4

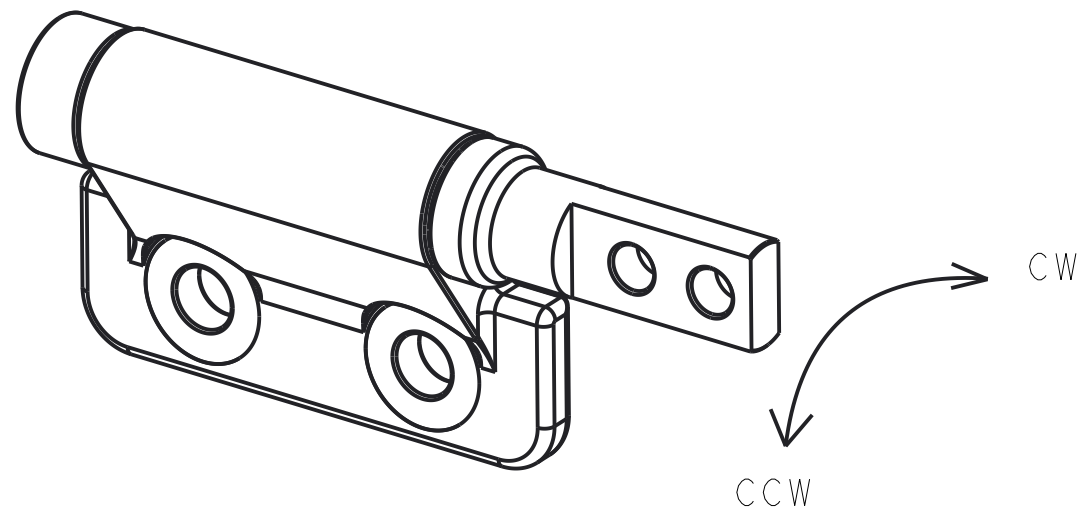
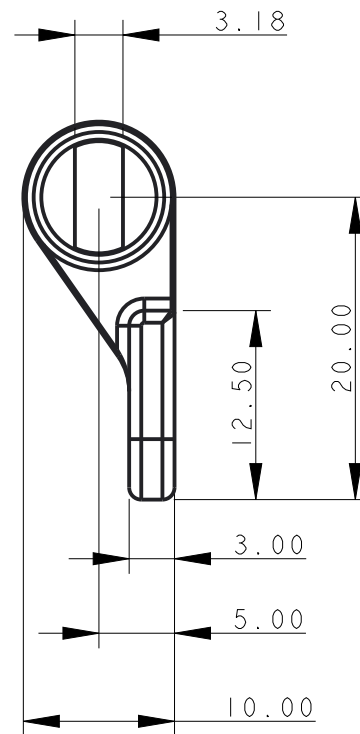
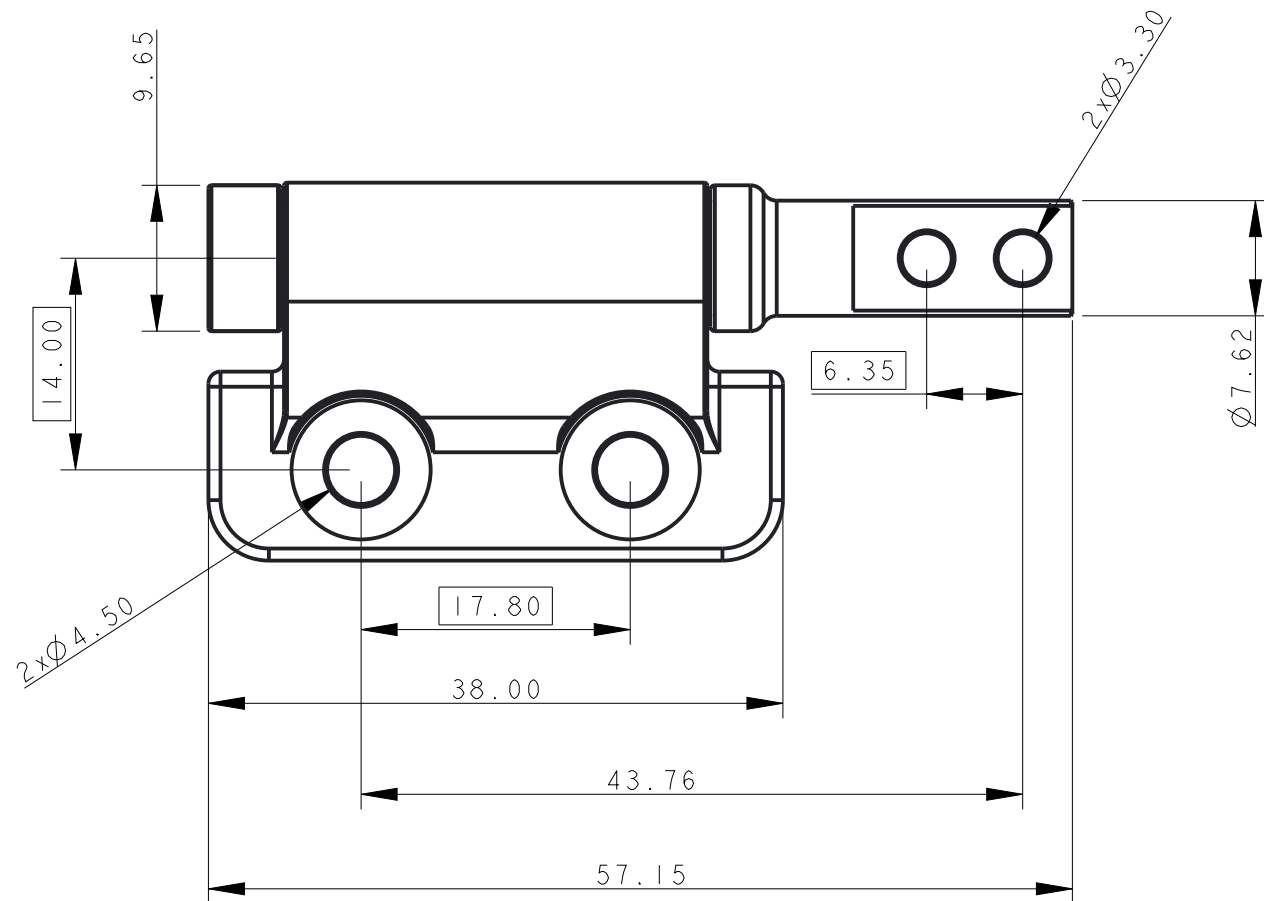
2. CYCLE LIFE:
WITHIN 25,000 CYCLES STATIC TORQUE STAY WITHIN ±20% OF TORQUE SPECIFICATION.

3. FINISH:
A. NATURE B. BLACK PAINT

4. 360 DEGREE SHAFT ROTATION

5. OIL RING SEALS FOR PROTECTION AGAINST ENVIRONMENT CONTAMINATION

6. MATERIAL:
ZINC ALLOY, STEEL, GREASE AND O-RING



METRIC(MM)	[ENGLISH] (IN)
0-3 < ±0.15	0-0.118 < ±0.006
3-10 < ±0.20	0.118-0.394 < ±0.008
10-30 < ±0.25	0.394-1.181 < ±0.010
30-50 < ±0.30	1.181-2.000 < ±0.012
50-100 < ±0.40	2.000-4.000 < ±0.016
100-200 < ±0.50	4.000-8.000 < ±0.020

PROPRIETY ITEM - ALL INFORMATION DISCLOSED HEREON IS CONFIDENTIAL AND ALL RIGHTS PATENT AND OTHERWISE ARE RESERVED BY LEECO TECHNOLOGIES CORPORATION

LEECO

APPROVED
JLIU

DRAWN
BCHEN

SHEET 1 OF 1

SCALE: 2.000

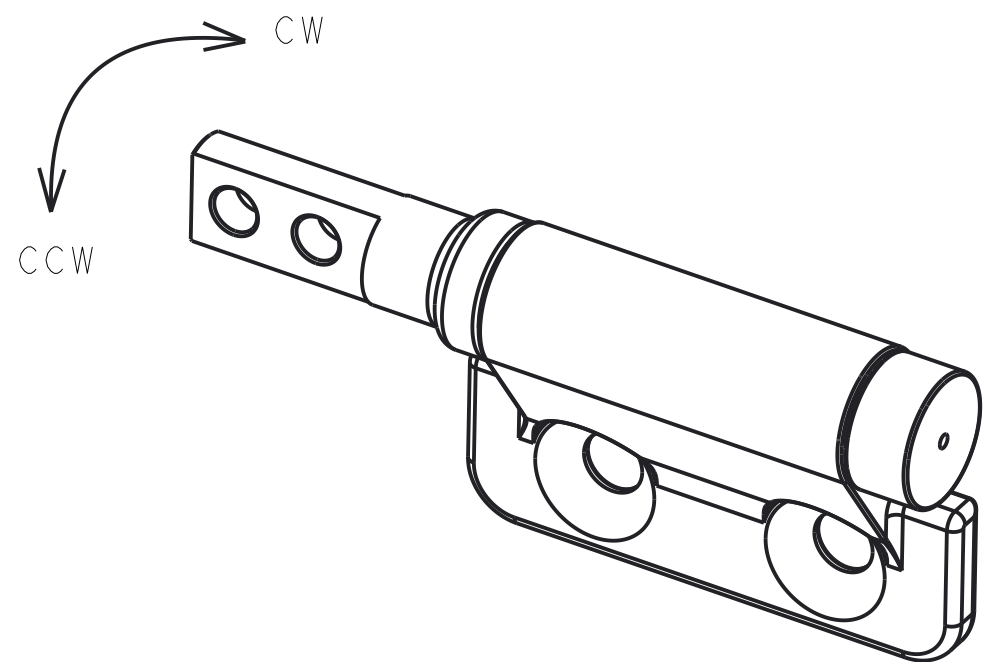
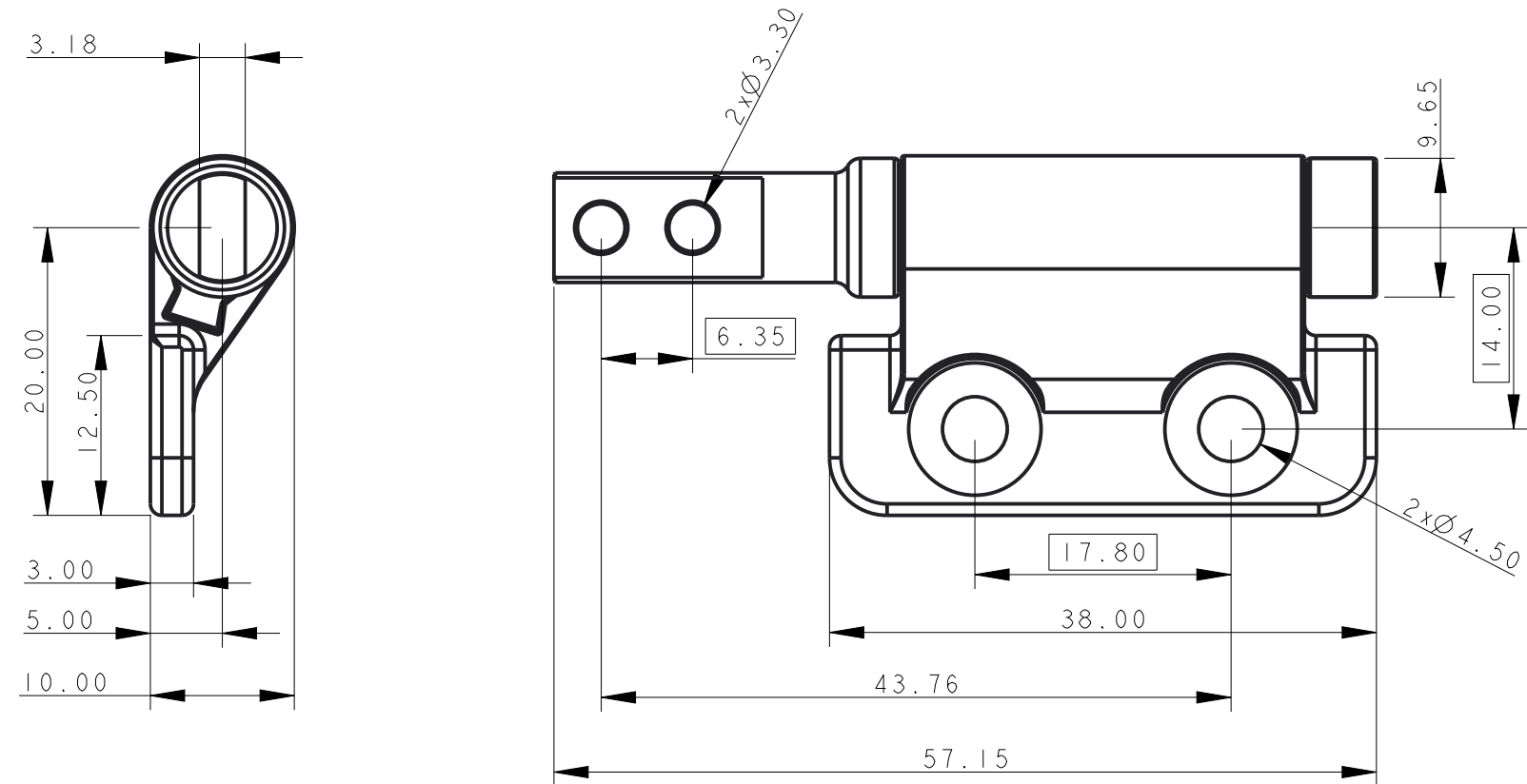
DWG NO.
QM10A-x038-xxR

TITLE
QM10A RIGHT

MATERIAL
SEE NOTES

REV
A3





NOTES:

1. TORQUE RATINGS, Nm :

PART NUMBER	SYMMETRIC TORQUE
QM10A-1100-00L	0.0
QM10A-1100-09L	0.9
QM10A-1100-14L	1.4
QM10A-1100-18L	1.8
QM10A-1100-23L	2.3
QM10A-1100-27L	2.7

PART NUMBER	ASYMMETRIC CW TORQUE	ASYMMETRIC CCW TORQUE
QM10A-2100-14L	1.4	0.9
QM10A-2100-18L	1.8	1.2
QM10A-2100-23L	2.3	1.5
QM10A-2100-27L	2.7	1.8
QM10A-2100-34L	3.4	2.3
QM10A-3100-14L	0.9	1.4
QM10A-3100-18L	1.2	1.8
QM10A-3100-23L	1.5	2.3
QM10A-3100-27L	1.8	2.7
QM10A-3100-34L	2.3	3.4

2. CYCLE LIFE:

WITHIN 25,000 CYCLES STATIC TORQUE STAY WITHIN ±20% OF TORQUE SPECIFICATION.

3. FINISH:

A. NATURE B. BLACK PAINT

4. 360 DEGREE SHAFT ROTATION

5. OIL RING SEALS FOR PROTECTION AGAINST ENVIRONMENT CONTAMINATION

6. MATERIAL:

ZINC ALLOY, STEEL, GREASE AND O-RING

METRIC(MM)	[ENGLISH] (IN)	LEEEO		DWG NO.	
0-3 < ±0.15	0-0.118 < ±0.006			QM10A-x100-xxL	
3-10 < ±0.20	0.118-0.394 < ±0.008	TITLE			
10-30 < ±0.25	0.394-1.181 < ±0.010	QM10A LEFT			
30-50 < ±0.30	1.181-2.000 < ±0.012	APPROVED	DRAWN	MATERIAL	
50-100 < ±0.40	2.000-4.000 < ±0.016	JLIU	BCHEN	SEE NOTES	
100-200 < ±0.50	4.000-8.000 < ±0.020	SHEET 1 OF 1		SCALE: 2.000	REV
PROPRIETY ITEM - ALL INFORMATION DISCLOSED HEREON IS CONFIDENTIAL AND ALL RIGHTS PATENT AND OTHERWISE ARE RESERVED BY LEEEO TECHNOLOGIES CORPORATION				A3	

NOTES:

1. TORQUE RATINGS, Nm :

PART NUMBER	SYMMETRIC TORQUE
QM10A-1100-00R	0.0
QM10A-1100-09R	0.9
QM10A-1100-14R	1.4
QM10A-1100-18R	1.8
QM10A-1100-23R	2.3
QM10A-1100-27R	2.7

PART NUMBER	ASYMMETRIC CW TORQUE	ASYMMETRIC CCW TORQUE
QM10A-2100-14R	1.4	0.9
QM10A-2100-18R	1.8	1.2
QM10A-2100-23R	2.3	1.5
QM10A-2100-27R	2.7	1.8
QM10A-2100-34R	3.4	2.3
QM10A-3100-14R	0.9	1.4
QM10A-3100-18R	1.2	1.8
QM10A-3100-23R	1.5	2.3
QM10A-3100-27R	1.8	2.7
QM10A-3100-34R	2.3	3.4

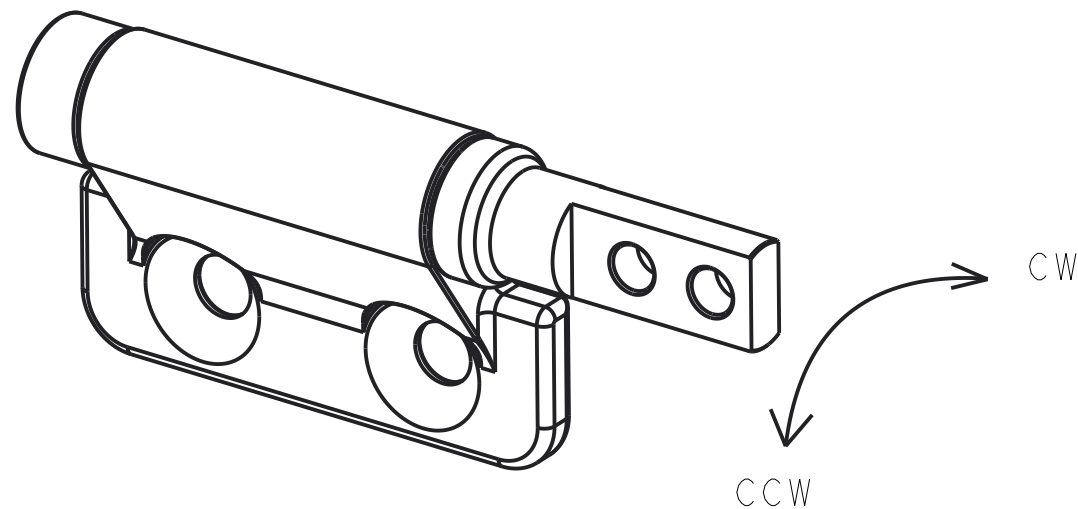
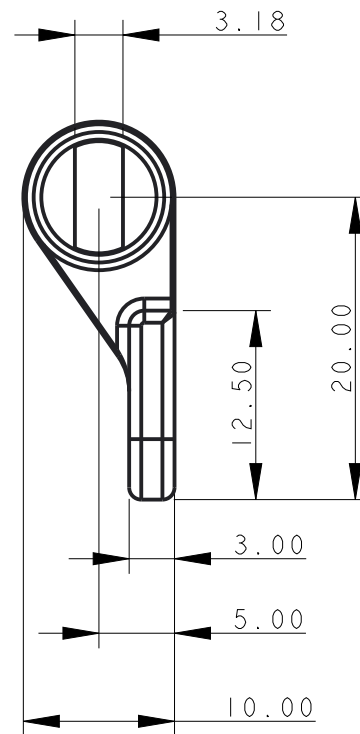
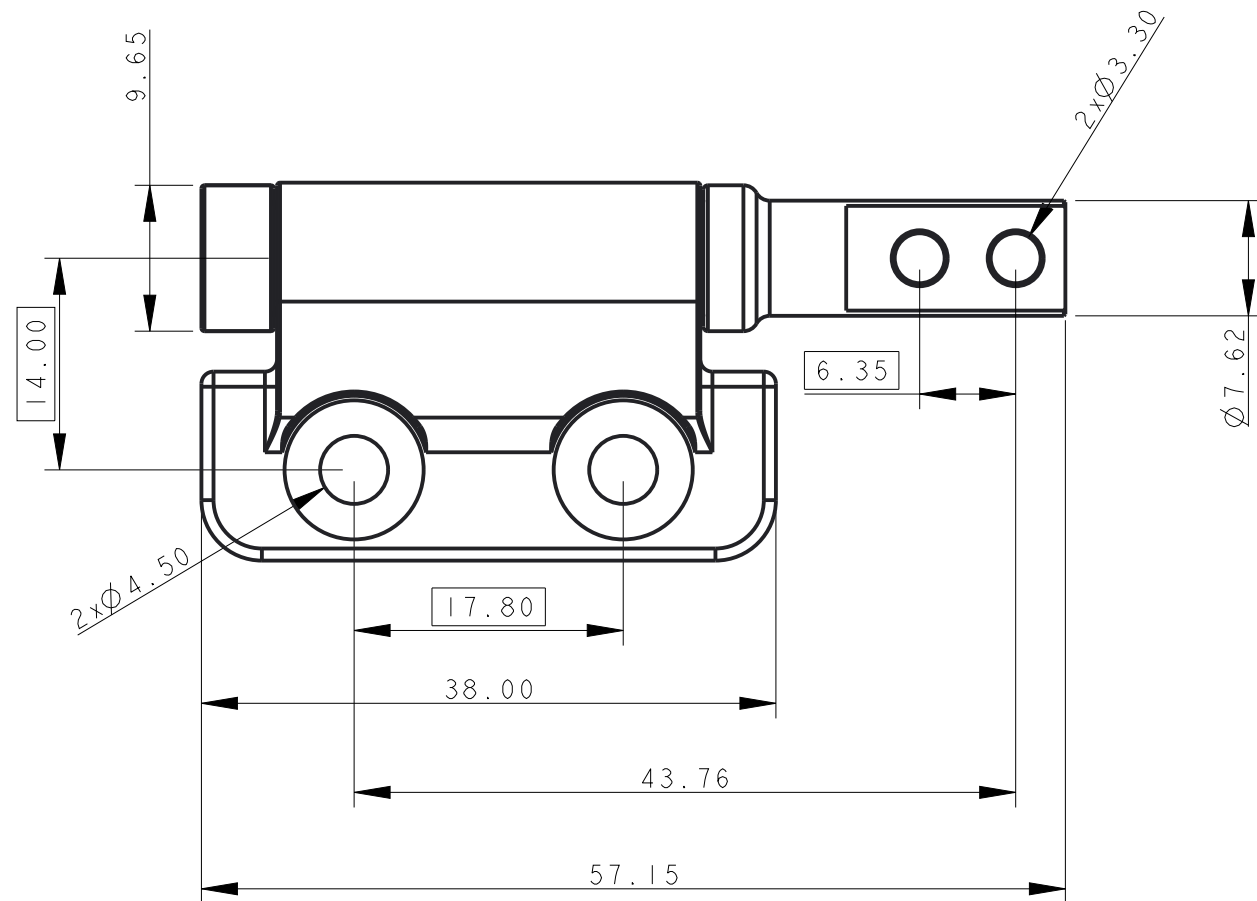
2. CYCLE LIFE:
WITHIN 25,000 CYCLES STATIC TORQUE STAY WITHIN ±20% OF TORQUE SPECIFICATION.

3. FINISH:
A. NATURE B. BLACK PAINT

4. 360 DEGREE SHAFT ROTATION

5. OIL RING SEALS FOR PROTECTION AGAINST ENVIRONMENT CONTAMINATION

6. MATERIAL:
ZINC ALLOY, STEEL, GREASE AND O-RING



METRIC(MM)	[ENGLISH] (IN)
0-3 ± 0.15	0-0.118 ± 0.006
3-10 ± 0.20	0.118-0.394 ± 0.008
10-30 ± 0.25	0.394-1.181 ± 0.010
30-50 ± 0.30	1.181-2.000 ± 0.012
50-100 ± 0.40	2.000-4.000 ± 0.016
100-200 ± 0.50	4.000-8.000 ± 0.020

PROPRIETY ITEM - ALL INFORMATION DISCLOSED HEREON IS CONFIDENTIAL AND ALL RIGHTS PATENT AND OTHERWISE ARE RESERVED BY LEECO TECHNOLOGIES CORPORATION

LEECO

APPROVED
JLIU

DRAWN
BCHEN

SHEET 1 OF 1

SCALE: 2.000

DWG NO.
QM10A-x100-xxR

TITLE
QM10A RIGHT

MATERIAL
SEE NOTES

REV
A3

