

NOTES:

1. TORQUE RATINGS

PART NUMBER	SYMMETRIC TORQUE
TIM10-1025-05	0.5
TIM10-1025-10	1.0
TIM10-1025-20	2.0

2. CYCLE LIFE:
WITHIN 50,000 CYCLES STATIC TORQUE STAY
WITHIN ±20% OF TORQUE SPECIFICATION.

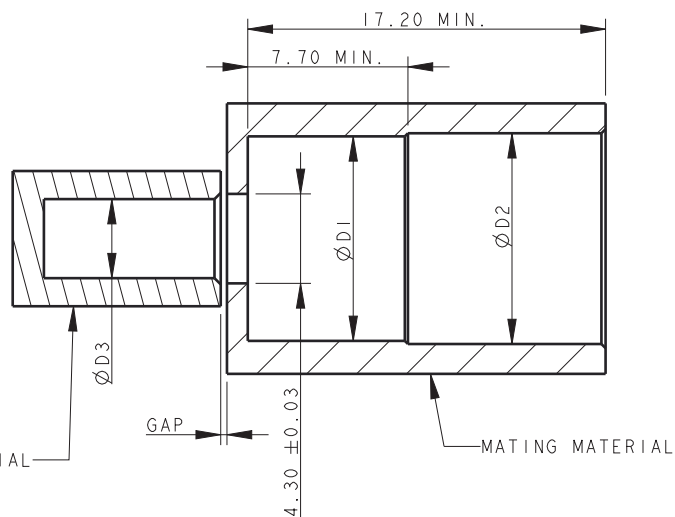
3. FINISH: PLAIN AND PLATING

4. 360 DEGREE SHAFT ROTATION

5. DESIGNED TO BE USED IN PLASTIC AND STEEL

6. TO BE USED IN PAIRS IN ORDER TO ENSURE
PROPER AND NORMAL FUNCTIONS

7. U.S. PAT. NO. 9,609,770



CUSTOMER INSTALLTION GEOMETRY			
CUSTOMER MATERIAL	ØD1	ØD2	ØD3
ZINC	9.82±0.03	10.13±0.05	3.80±0.03
ALUMINUM	9.82±0.03	10.13±0.05	3.80±0.03
STEEL	9.87±0.015	10.13±0.05	3.88±0.015
PLASTIC	9.62±0.03	10.13±0.05	3.40±0.03

METRIC (ENGLISH)		LEEEO		DWG NO.	
0-3 < ±0.15	0-0.118 < ±0.004			TIM10-1025-xx	
3-10 < ±0.20	0.118-0.394 < ±0.005	TITLE			
10-30 < ±0.25	0.394-1.181 < ±0.010	TORQUE INSERT			
30-50 < ±0.30	1.181-2.000 < ±0.012	APPROVED	DRAWN	MATERIAL	
50-100 < ±0.40	2.000-4.000 < ±0.016	JLIU	DLEE	STEEL	
100-200 < ±0.50	4.000-8.000 < ±0.020			REV	A3
<small>PROPRIETY ITEM - ALL INFORMATION DISCLOSED HEREON IS CONFIDENTIAL AND ALL RIGHTS PATENT AND OTHERWISE ARE RESERVED BY LEEEO TECHNOLOGIES CORPORATION</small>		SHEET 1 OF 2		SCALE: 3.000	