

NOTES:

1. TORQUE RATINGS, Nm :

PART NUMBER	SYMMETRIC TORQUE
QM12-1050-00	0.0
QM12-1050-09	0.9
QM12-1050-18	1.8
QM12-1050-23	2.3
QM12-1050-34	3.4
QM12-1050-39	3.9

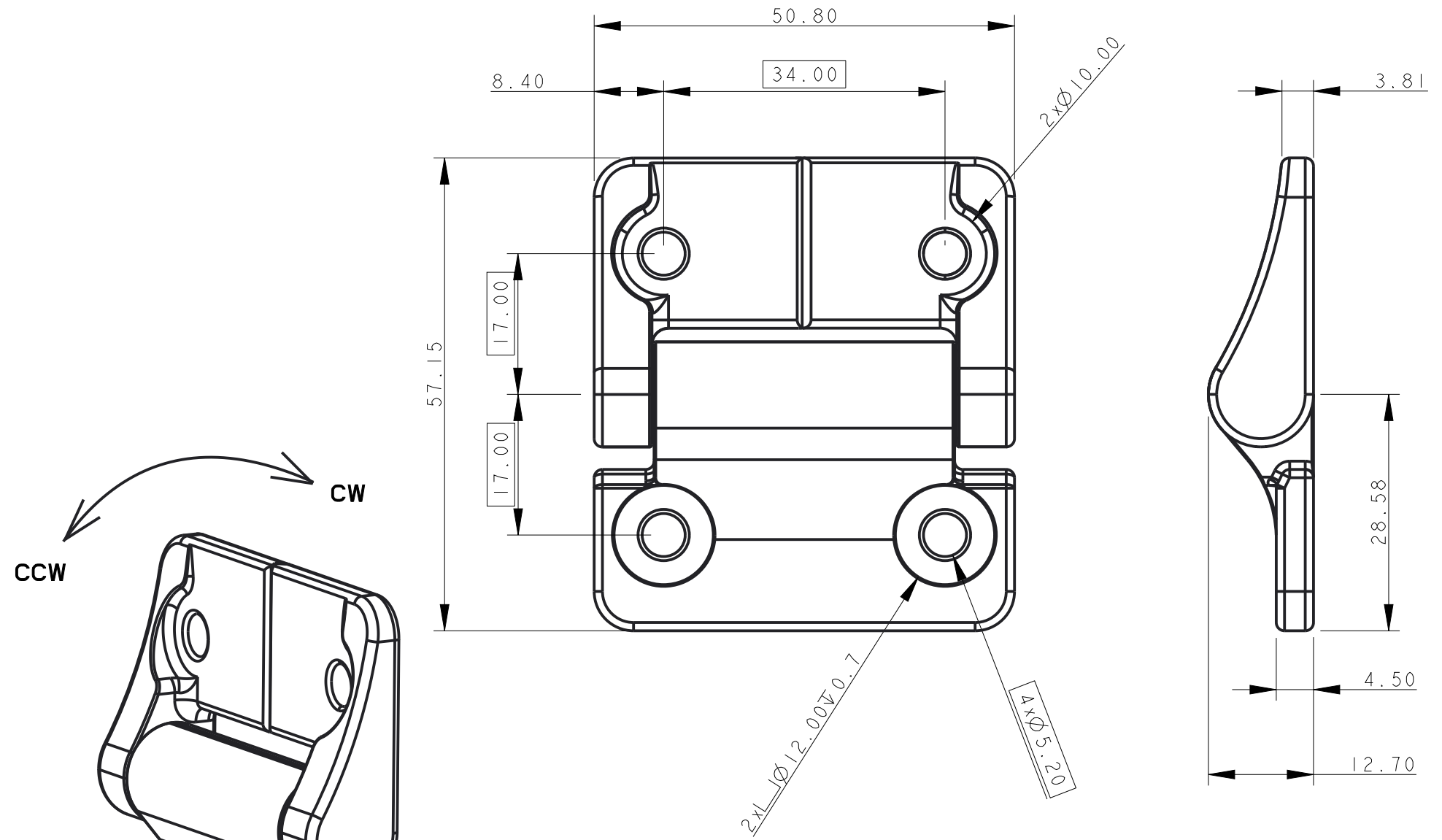
PART NUMBER	ASYMMETRIC CW TORQUE	ASYMMETRIC CCW TORQUE
QM12-2050-23	2.3	1.4
QM12-2050-34	3.4	2.0
QM12-2050-45	4.5	2.7
QM12-2050-50	5.0	3.0
QM12-3050-23	1.4	2.3
QM12-3050-34	2.0	3.4
QM12-3050-45	2.7	4.5
QM12-3050-50	3.0	5.0

2. CYCLE LIFE:
WITHIN 25,000 CYCLES STATIC TORQUE STAY WITHIN ±20% OF TORQUE SPECIFICATION.

3. FINISH:
A. NATURE
B. BLACK PAINT
C. CHROME PLATING

4. 270 DEGREE SHAFT ROTATION

5. OIL RING SEALS FOR PROTECTION AGAINST ENVIRONMENT CONTAMINATION



METRIC(MM)	[ENGLISH] (IN)
0-3 < ±0.15	0-0.118 < ±0.006
3-10 < ±0.20	0.118-0.394 < ±0.008
10-30 < ±0.25	0.394-1.181 < ±0.010
30-50 < ±0.30	1.181-2.000 < ±0.012
50-100 < ±0.40	2.000-4.000 < ±0.016
100-200 < ±0.50	4.000-8.000 < ±0.020

PROPRIETY ITEM - ALL INFORMATION DISCLOSED HEREON IS CONFIDENTIAL AND ALL RIGHTS PATENT AND OTHERWISE ARE RESERVED BY LEECO TECHNOLOGIES CORPORATION

LEECO

APPROVED	DRAWN
JLIU	BCHEN

SHEET 1 OF 1 SCALE: 1.000

DWG NO.	QM12-x050-xx
TITLE	QM12
MATERIAL	STEEL & ZINC
REV	A3