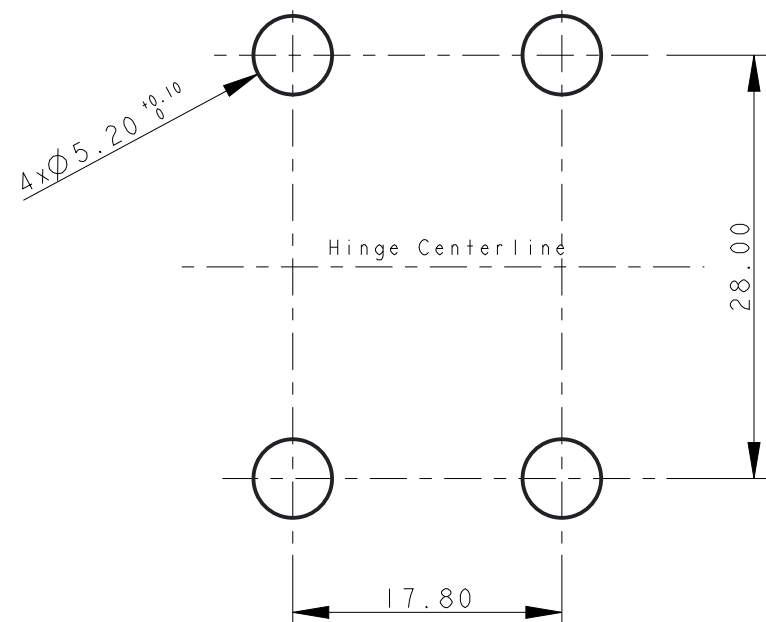


4 x Ø 4.50

MOUNTING CONFIGURATION



NOTES:

1. TORQUE RATINGS, Nm :

PART NUMBER	SYMMETRIC TORQUE
QM10-1038-00	0.0
QM10-1038-09	0.9
QM10-1038-14	1.4
QM10-1038-18	1.8
QM10-1038-23	2.3
QM10-1038-27	2.7

PART NUMBER	ASYMMETRIC CW TORQUE	ASYMMETRIC CCW TORQUE
QM10-2038-14	1.4	0.8
QM10-2038-18	1.8	1.1
QM10-2038-23	2.3	1.4
QM10-2038-27	2.7	1.6
QM10-2038-34	3.4	2.0
QM10-3038-14	0.8	1.4
QM10-3038-18	1.1	1.8
QM10-3038-23	1.4	2.3
QM10-3038-27	1.6	2.7
QM10-3038-34	2.0	3.4

2. CYCLE LIFE:

WITHIN 25,000 CYCLES STATIC TORQUE STAY WITHIN ±20% OF TORQUE SPECIFICATION.

3. FINISH:

- A. NATURE
- B. BLACK PAINT
- C. CHROME PLATING

4. 270 DEGREE SHAFT ROTATION

5. OIL RING SEALS FOR PROTECTION AGAINST ENVIRONMENT CONTAMINATION

6. MATERIAL:

ZINC ALLOY, STEEL, GREASE AND O-RING

METRIC(MM)	[ENGLISH] (IN)
0-3 < ±0.15	0-0.118 < ±0.006
3-10 < ±0.20	0.118-0.394 < ±0.008
10-30 < ±0.25	0.394-1.181 < ±0.010
30-50 < ±0.30	1.181-2.000 < ±0.012
50-100 < ±0.40	2.000-4.000 < ±0.016
100-200 < ±0.50	4.000-8.000 < ±0.020

PROPRIETY ITEM - ALL INFORMATION DISCLOSED HEREON IS CONFIDENTIAL AND ALL RIGHTS PATENT AND OTHERWISE ARE RESERVED BY LEECO TECHNOLOGIES CORPORATION

**LEECO**

APPROVED  
JLIU

DRAWN  
BCHEN

SHEET 1 OF 1

SCALE: 2.000

DWG NO.

QM10-x038-xx

TITLE

QM10

MATERIAL

STEEL & ZINC

REV

A3

