

NOTES:

1. TORQUE RATINGS, Nm :

PART NUMBER	SYMMETRIC TORQUE
QM12A-1050-00L	0.0
QM12A-1050-09L	0.9
QM12A-1050-18L	1.8
QM12A-1050-23L	2.3
QM12A-1050-34L	3.4

PART NUMBER	ASYMMETRIC CW TORQUE	ASYMMETRIC CCW TORQUE
QM12A-2050-23L	2.3	1.4
QM12A-2050-34L	3.4	2.0
QM12A-2050-45L	4.5	2.7
QM12A-3050-23L	1.4	2.3
QM12A-3050-34L	2.0	3.4
QM12A-3050-45L	2.7	4.5

2. CYCLE LIFE:

WITHIN 25,000 CYCLES STATIC TORQUE STAY WITHIN ±20% OF TORQUE SPECIFICATION.

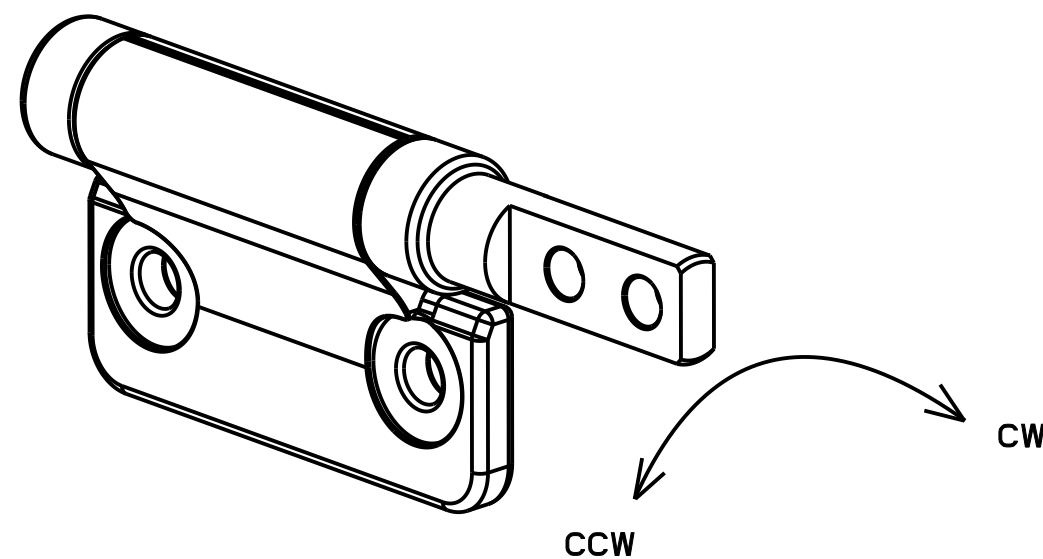
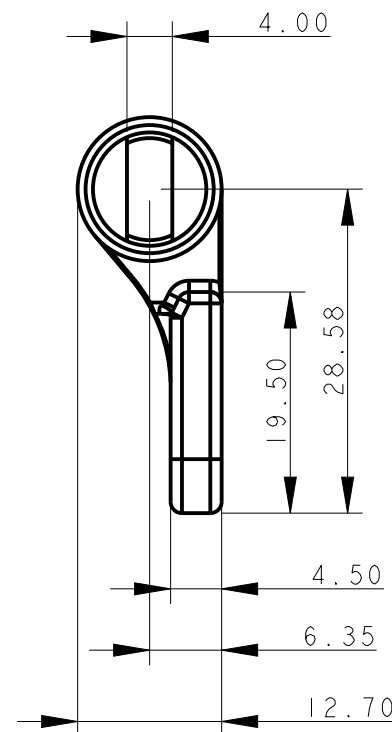
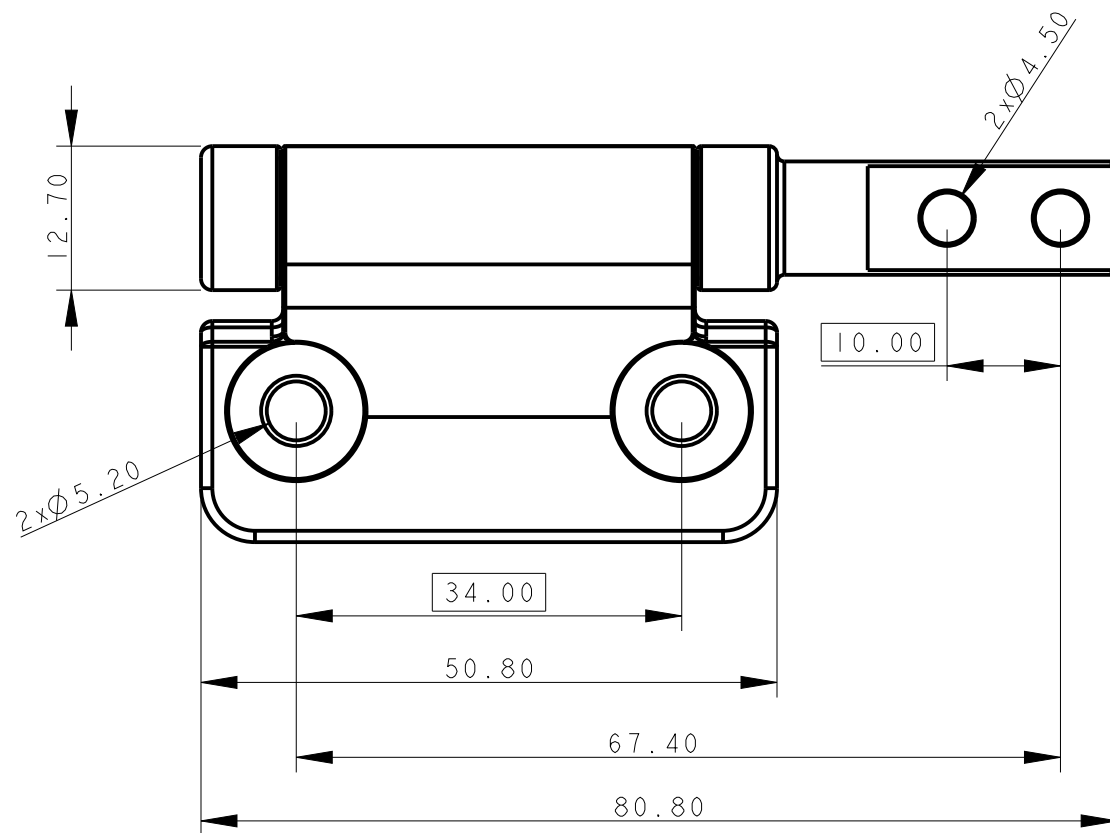
3. FINISH:

- A. NATURE
- B. BLACK PAINT

4. 270 DEGREE SHAFT ROTATION

5. OIL RING SEALS FOR PROTECTION AGAINST ENVIRONMENT CONTAMINATION

METRIC(MM)	[ENGLISH] (IN)	LEEEO		DWG NO.		
0-3 < ±0.15	0-0.118 < ±0.006			QM12A-x050-xxL		
3-10 < ±0.20	0.118-0.394 < ±0.008	APPROVED		DRAWN		TITLE
10-30 < ±0.25	0.394-1.181 < ±0.010					
30-50 < ±0.30	1.181-2.000 < ±0.012	JLIU		BCHEN		MATERIAL
50-100 < ±0.40	2.000-4.000 < ±0.016					
100-200 < ±0.50	4.000-8.000 < ±0.020	SHEET 1 OF 1		SCALE: 1.500		REV
PROPRIETY ITEM - ALL INFORMATION DISCLOSED HEREON IS CONFIDENTIAL AND ALL RIGHTS PATENT AND OTHERWISE ARE RESERVED BY LEEEO TECHNOLOGIES CORPORATION						



NOTES:

1. TORQUE RATINGS, Nm :

PART NUMBER	SYMMETRIC TORQUE
QM12A-1050-00R	0.0
QM12A-1050-09R	0.9
QM12A-1050-18R	1.8
QM12A-1050-23R	2.3
QM12A-1050-34R	3.4

PART NUMBER	ASYMMETRIC CW TORQUE	ASYMMETRIC CCW TORQUE
QM12A-2050-23R	2.3	1.4
QM12A-2050-34R	3.4	2.0
QM12A-2050-45R	4.5	2.7
QM12A-3050-23R	1.4	2.3
QM12A-3050-34R	2.0	3.4
QM12A-3050-45R	2.7	4.5

2. CYCLE LIFE:
WITHIN 25,000 CYCLES STATIC TORQUE STAY WITHIN $\pm 20\%$ OF TORQUE SPECIFICATION.

3. FINISH:
A. NATURE
B. BLACK PAINT

4. 270 DEGREE SHAFT ROTATION

5. OIL RING SEALS FOR PROTECTION AGAINST ENVIRONMENT CONTAMINATION

METRIC(MM)	[ENGLISH] (IN)	LEEEO		DWG NO.			
0-3 ± 0.15 3-10 ± 0.20 10-30 ± 0.25 30-50 ± 0.30 50-100 ± 0.40 100-200 ± 0.50	0-0.118 ± 0.006 0.118-0.394 ± 0.008 0.394-1.181 ± 0.010 1.181-2.000 ± 0.012 2.000-4.000 ± 0.016 4.000-8.000 ± 0.020			QM12A-x050-xxR		TITLE	
PROPRIETY ITEM - ALL INFORMATION DISCLOSED HEREON IS CONFIDENTIAL AND ALL RIGHTS PATENT AND OTHERWISE ARE RESERVED BY LEEEO TECHNOLOGIES CORPORATION		QM12A RIGHT				MATERIAL	
				STEEL & ZINC		REV	A3
APPROVED JLIU		DRAWN BCHEN				SHEET 1 OF 1	