

NOTES:

1. TORQUE RATINGS, Nm :

PART NUMBER	SYMMETRIC TORQUE
QM10B-1038-00	0.0
QM10B-1038-09	0.9
QM10B-1038-14	1.4
QM10B-1038-18	1.8
QM10B-1038-23	2.3
QM10B-1038-27	2.7

PART NUMBER	ASYMMETRIC CW TORQUE	ASYMMETRIC CCW TORQUE
QM10B-2038-14	1.4	0.8
QM10B-2038-18	1.8	1.1
QM10B-2038-23	2.3	1.4
QM10B-2038-27	2.7	1.6
QM10B-2038-34	3.4	2.0
QM10B-3038-14	0.8	1.4
QM10B-3038-18	1.1	1.8
QM10B-3038-23	1.4	2.3
QM10B-3038-27	1.6	2.7
QM10B-3038-34	2.0	3.4

2. CYCLE LIFE:
WITHIN 25,000 CYCLES STATIC TORQUE STAY WITHIN ±20% OF TORQUE SPECIFICATION.

3. FINISH:
A. NATURE B. BLACK PAINT

4. 270 DEGREE SHAFT ROTATION

5. OIL RING SEALS FOR PROTECTION AGAINST ENVIRONMENT CONTAMINATION

6. MATERIAL:
ZINC ALLOY, STEEL, GREASE AND O-RING

METRIC(MM)	[ENGLISH] (IN)
0-3 ± 0.15	0-0.118 ± 0.006
3-10 ± 0.20	0.118-0.394 ± 0.008
10-30 ± 0.25	0.394-1.181 ± 0.010
30-50 ± 0.30	1.181-2.000 ± 0.012
50-100 ± 0.40	2.000-4.000 ± 0.016
100-200 ± 0.50	4.000-8.000 ± 0.020

PROPRIETY ITEM - ALL INFORMATION DISCLOSED HEREON IS CONFIDENTIAL AND ALL RIGHTS PATENT AND OTHERWISE ARE RESERVED BY LEECO TECHNOLOGIES CORPORATION

LEECO

APPROVED
JLIU

DRAWN
BCHEN

SHEET 1 OF 1

SCALE: 2.000

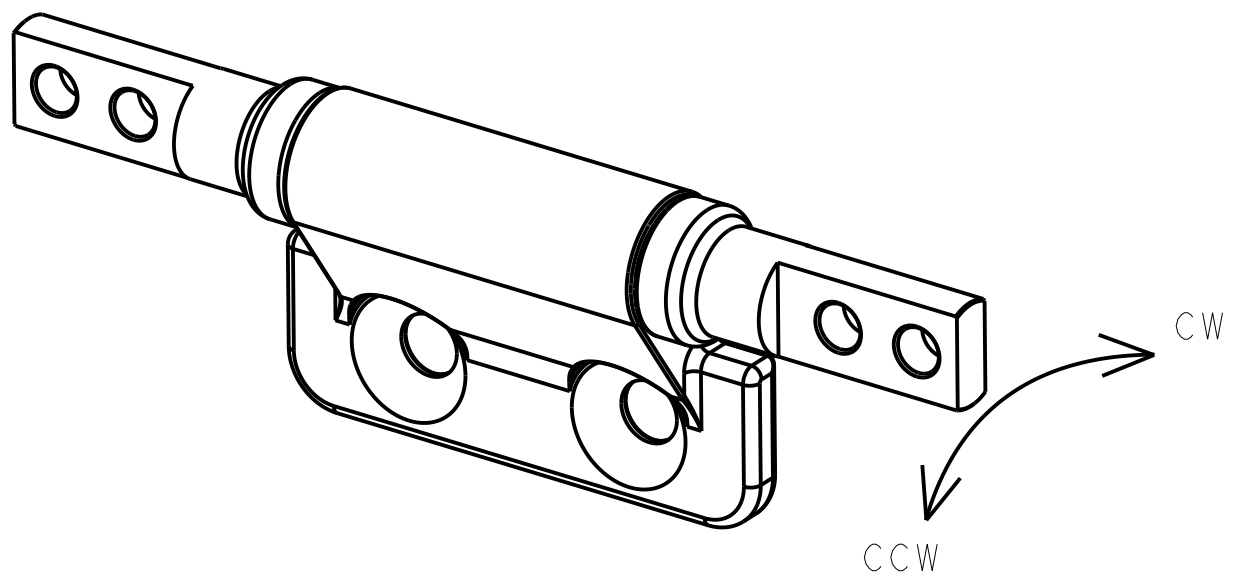
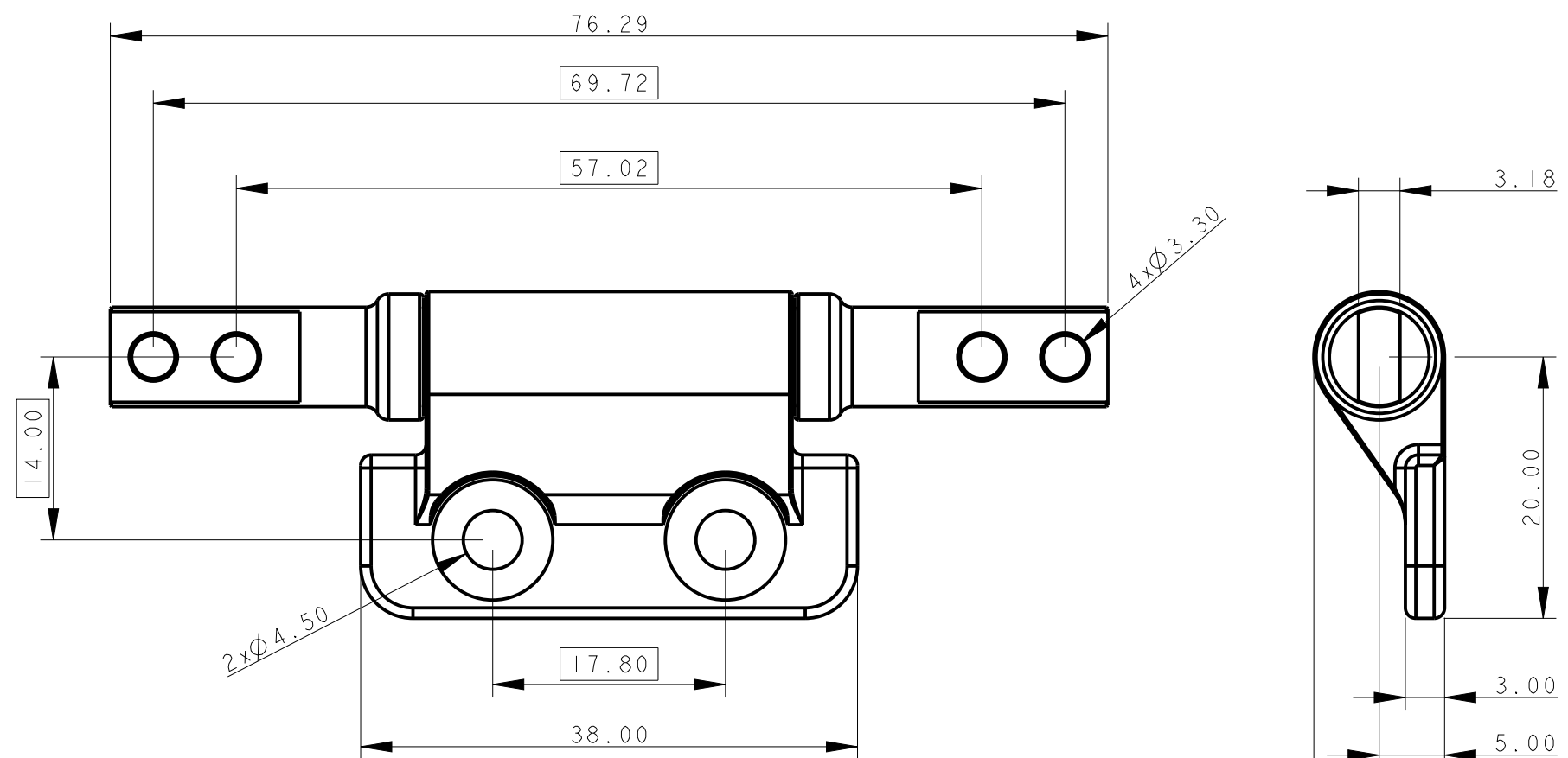
DWG NO.
QM10B-x038-xx

TITLE
QM10B

MATERIAL
SEE NOTES

REV
A3





NOTES:

1. TORQUE RATINGS, Nm :

PART NUMBER	SYMMETRIC TORQUE
QM10B-1100-00	0.0
QM10B-1100-09	0.9
QM10B-1100-14	1.4
QM10B-1100-18	1.8
QM10B-1100-23	2.3
QM10B-1100-27	2.7

PART NUMBER	ASYMMETRIC CW TORQUE	ASYMMETRIC CCW TORQUE
QM10B-2100-14	1.4	0.8
QM10B-2100-18	1.8	1.1
QM10B-2100-23	2.3	1.4
QM10B-2100-27	2.7	1.6
QM10B-2100-34	3.4	2.0
QM10B-3100-14	0.8	1.4
QM10B-3100-18	1.1	1.8
QM10B-3100-23	1.4	2.3
QM10B-3100-27	1.6	2.7
QM10B-3100-34	2.0	3.4

2. CYCLE LIFE:
WITHIN 25,000 CYCLES STATIC TORQUE STAY WITHIN ±20% OF TORQUE SPECIFICATION.

3. FINISH:
A. NATURE B. BLACK PAINT

4. 270 DEGREE SHAFT ROTATION

5. OIL RING SEALS FOR PROTECTION AGAINST ENVIRONMENT CONTAMINATION

6. MATERIAL:
ZINC ALLOY, STEEL, GREASE AND O-RING

METRIC 0-3< ±0.10 3-10< ±0.13 10-30< ±0.25 30-50< ±0.30 50-100< ±0.40 100-200< ±0.50	(ENGLISH) 0-0.118<±0.004 0.118-0.394<±0.005 0.394-1.181<±0.010 1.181-2.000<±0.012 2.000-4.000<±0.016 4.000-8.000<±0.020	<h1>LEEEO</h1>		DWG NO. QM10B-x100-xx	
				TITLE QM10B	
PROPRIETY ITEM - ALL INFORMATION DISCLOSED HEREON IS CONFIDENTIAL AND ALL RIGHTS PATENT AND OTHERWISE ARE RESERVED BY LEEEO TECHNOLOGIES CORPORATION		APPROVED JLIU	DRAWN BCHEN	MATERIAL SEE NOTES	
		SHEET 1 OF 1		SCALE: 2.000	REV A3