

NOTES:

1. TORQUE RATINGS, Nm :

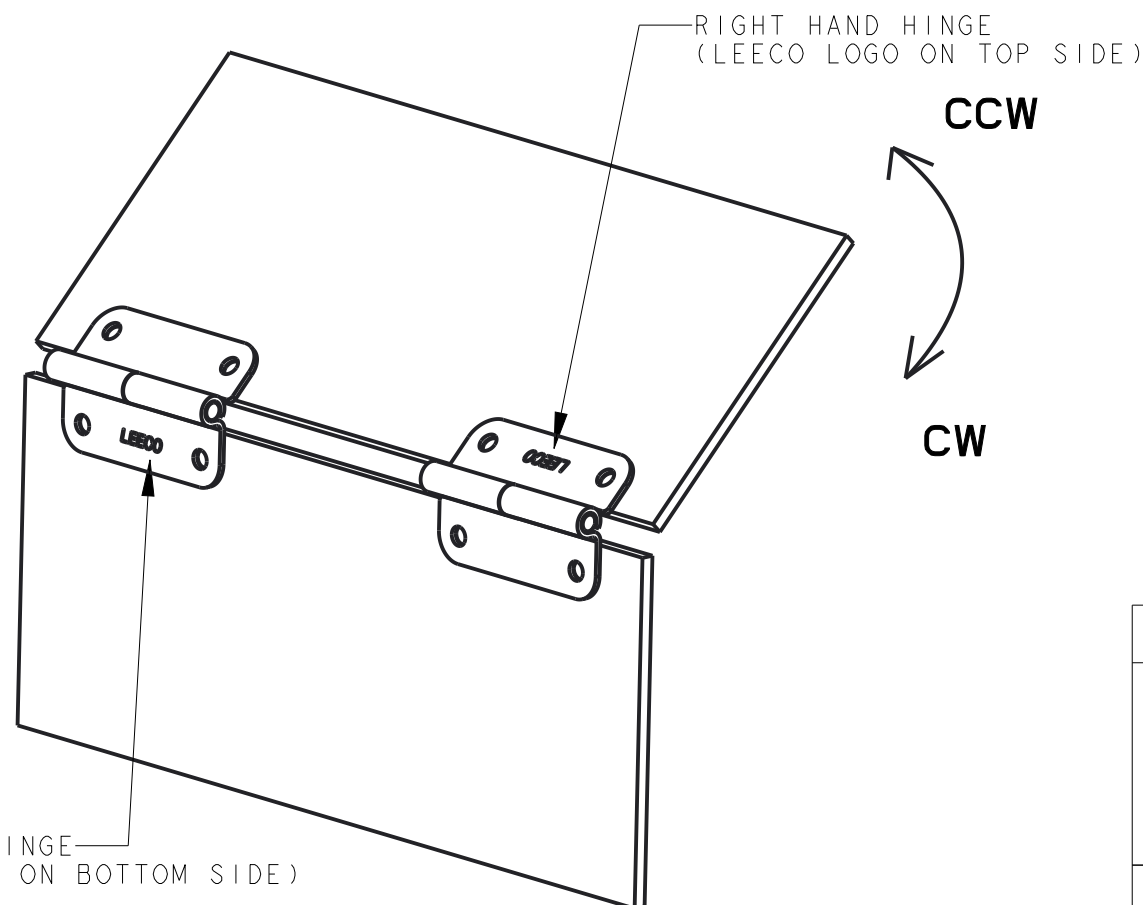
PART NUMBER	ASYMMETRIC CW TORQUE	ASYMMETRIC CCW TORQUE
QA7-1050-18	1.8	1.1
QA7-1050-23	2.3	1.4
Q7A-1050-27	2.7	1.6

2. CYCLE LIFE:

WITHIN 25,000 CYCLES STATIC TORQUE STAY WITHIN ±20% OF TORQUE SPECIFICATION.

3. FINISH: PLATING

4. 280 DEGREE SHAFT ROTATION



INSTALLATION NOTES:

TO ASSURE PROPER FUNCTION, A COMBINATION OF ONE RIGHT HAND HINGE AND ONE LEFT HAND HINGE IS MINIMUM REQUIRED IN THE ASSEMBLY.

METRIC(MM)	[ENGLISH] (IN)	LEEEO		DWG NO.		
0-3 < ±0.15	0-0.118 < ±0.006			QA7-1050-xx		
3-10 < ±0.20	0.118-0.394 < ±0.008	TITLE		QA7		
10-30 < ±0.25	0.394-1.181 < ±0.010			MATERIAL		STEEL
30-50 < ±0.30	1.181-2.000 < ±0.012	APPROVED	DRAWN	REV		
50-100 < ±0.40	2.000-4.000 < ±0.016	JLIU	BCHEN			
100-200 < ±0.50	4.000-8.000 < ±0.020	SHEET 1 OF 1		SCALE: 2.000	A3	☉ □
PROPRIETY ITEM - ALL INFORMATION DISCLOSED HEREON IS CONFIDENTIAL AND ALL RIGHTS PATENT AND OTHERWISE ARE RESERVED BY LEEEO TECHNOLOGIES CORPORATION						

LEFT HAND HINGE
(LEEEO LOGO ON BOTTOM SIDE)