

NOTES:

1. TORQUE RATINGS, Nm :
SYMMETRIC TORQUE: 0.4-0.9, CW=CCW
2. CYCLE LIFE:
WITHIN 25,000 CYCLES STATIC TORQUE STAY WITHIN ±20% OF TORQUE SPECIFICATION.
3. FINISH: NATURE AND PLATING
4. 180 DEGREE SHAFT ROTATION
5. SELF LOCKING FEATURE:
WHEN CLOSING TOWARD CCW DIRECTION TO ABOUT 75 DEGREE HINGE SHALL SELF CLOSE TO 90 DEGREE

METRIC(MM)	[ENGLISH] (IN)
0-3 < ±0.15	0-0.118 < ±0.006
3-10 < ±0.20	0.118-0.394 < ±0.008
10-30 < ±0.25	0.394-1.181 < ±0.010
30-50 < ±0.30	1.181-2.000 < ±0.012
50-100 < ±0.40	2.000-4.000 < ±0.016
100-200 < ±0.50	4.000-8.000 < ±0.020

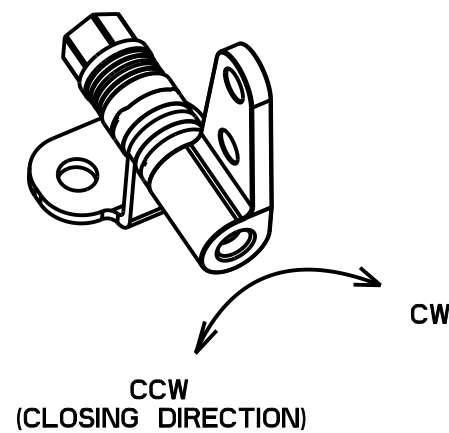
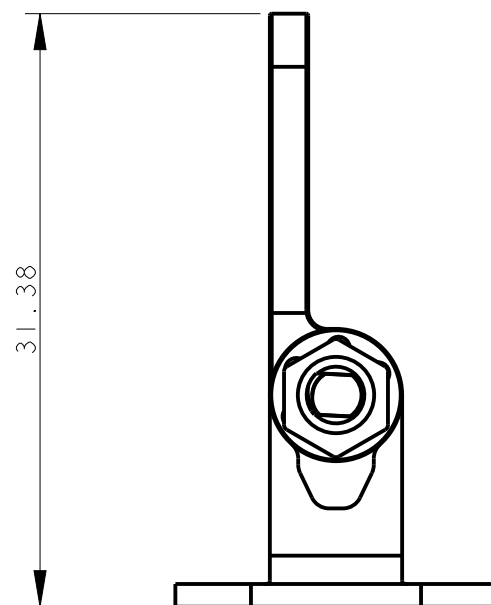
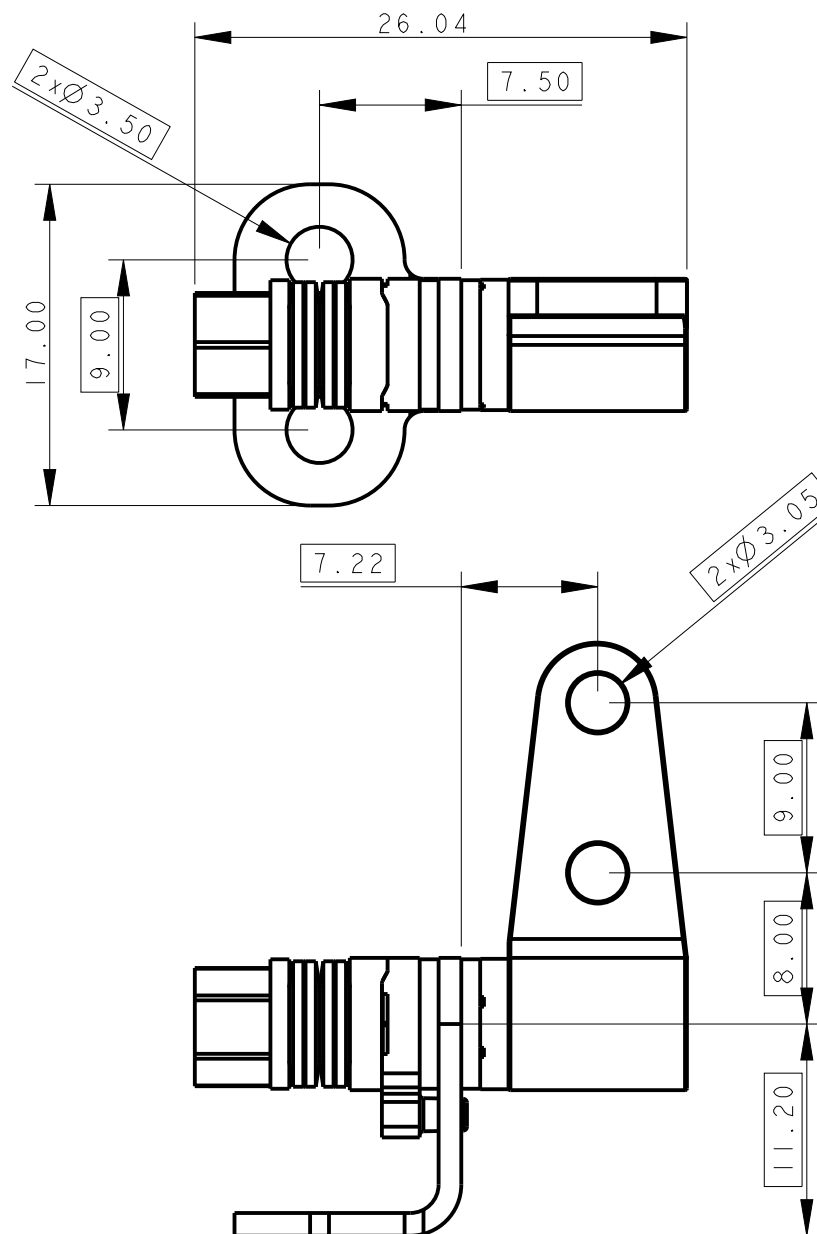
PROPRIETY ITEM - ALL INFORMATION DISCLOSED HEREON IS CONFIDENTIAL AND ALL RIGHTS PATENT AND OTHERWISE ARE RESERVED BY LEECO TECHNOLOGIES CORPORATION

LEECO

APPROVED	DRAWN
JLIU	BCHEN

SHEET 1 OF 1 SCALE: 1.000

DWG NO.	LL7A-1026-xxL		
TITLE	LL7A LEFT		
MATERIAL	STEEL		
REV	A3	☉	◻



NOTES:

1. TORQUE RATINGS, Nm :
SYMMETRIC TORQUE: 0.4-0.9, CW=CCW
2. CYCLE LIFE:
WITHIN 25,000 CYCLES STATIC TORQUE STAY WITHIN ±20% OF TORQUE SPECIFICATION.
3. FINISH: NATURE AND PLATING
4. 180 DEGREE SHAFT ROTATION
5. SELF LOCKING FEATURE:
WHEN CLOSING TOWARD CCW DIRECTION TO ABOUT 75 DEGREE HINGE SHALL SELF CLOSE TO 90 DEGREE

METRIC(MM)	[ENGLISH] (IN)	LEEEO		DWG NO.	
0-3 < ±0.15	0-0.118 < ±0.006			LL7A-1026-xxR	
3-10 < ±0.20	0.118-0.394 < ±0.008	TITLE			
10-30 < ±0.25	0.394-1.181 < ±0.010	LL7A RIGHT			
30-50 < ±0.30	1.181-2.000 < ±0.012	APPROVED	DRAWN	MATERIAL	
50-100 < ±0.40	2.000-4.000 < ±0.016	JLIU	BCHEN	STEEL	
100-200 < ±0.50	4.000-8.000 < ±0.020			REV	A3
PROPRIETY ITEM - ALL INFORMATION DISCLOSED HEREON IS CONFIDENTIAL AND ALL RIGHTS PATENT AND OTHERWISE ARE RESERVED BY LEEEO TECHNOLOGIES CORPORATION		SHEET 1 OF 1	SCALE: 1.000		☉ □