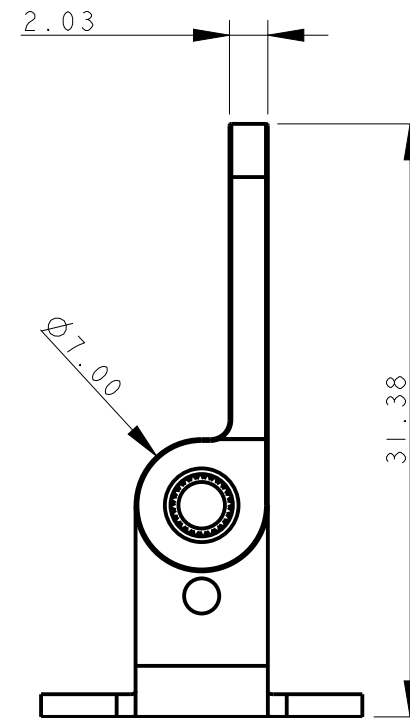
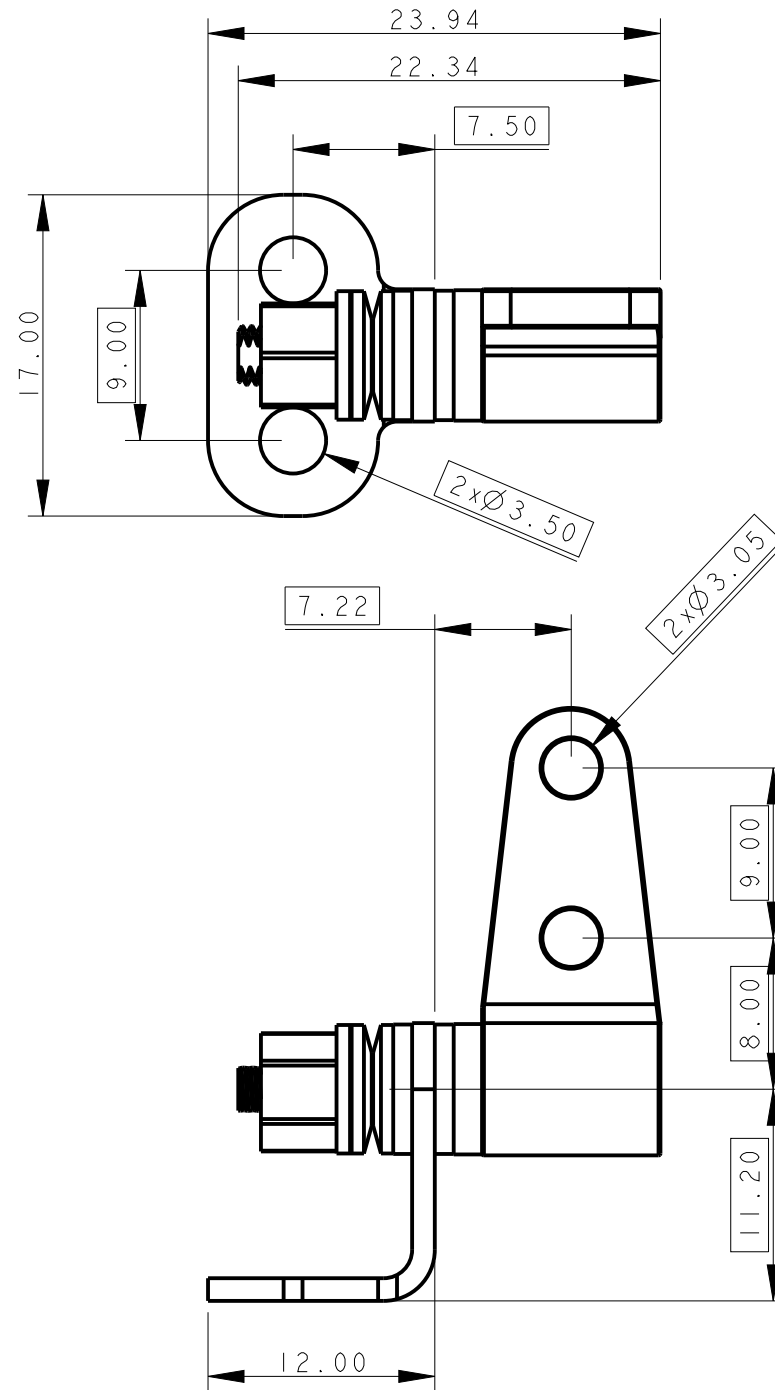


NOTES:

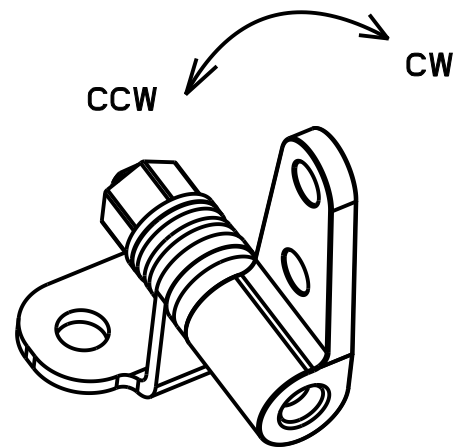
1. TORQUE RATINGS, Nm :
SYMMETRIC TORQUE: 0.4-0.9 , CW=CCW
2. CYCLE LIFE:
WITHIN 25,000 CYCLES STATIC TORQUE STAY WITHIN ±20% OF TORQUE SPECIFICATION.
3. FINISH: NATURE AND PLATING
4. 360 DEGREE SHAFT ROTATION

METRIC(MM)	[ENGLISH] (IN)	LEEEO		DWG NO.		
0-3 < ±0.15	0-0.118 < ±0.006			BT7A-1023-xxL		
3-10 < ±0.20	0.118-0.394 < ±0.008	TITLE			BT7A LEFT	
10-30 < ±0.25	0.394-1.181 < ±0.010	APPROVED	DRAWN	MATERIAL		
30-50 < ±0.30	1.181-2.000 < ±0.012			STEEL		
50-100 < ±0.40	2.000-4.000 < ±0.016			REV	A3	
100-200 < ±0.50	4.000-8.000 < ±0.020				☉ □	
PROPRIETY ITEM - ALL INFORMATION DISCLOSED HEREON IS CONFIDENTIAL AND ALL RIGHTS PATENT AND OTHERWISE ARE RESERVED BY LEEEO TECHNOLOGIES CORPORATION		SHEET 1 OF 1	SCALE: 1.000			



NOTES:

- TORQUE RATINGS, Nm :
SYMMETRIC TORQUE: 0.4-0.9 , CW=CCW
- CYCLE LIFE:
WITHIN 25,000 CYCLES STATIC TORQUE STAY WITHIN ±20% OF TORQUE SPECIFICATION.
- FINISH: NATURE AND PLATING
- 360 DEGREE SHAFT ROTATION



METRIC(MM)	[ENGLISH] (IN)	LEEEO		DWG NO.		
0-3 ± 0.15	0-0.118 ± 0.006			BT7A-1023-xxR		
3-10 ± 0.20	0.118-0.394 ± 0.008	TITLE				
10-30 ± 0.25	0.394-1.181 ± 0.010	BT7A RIGHT				
30-50 ± 0.30	1.181-2.000 ± 0.012	APPROVED	DRAWN	MATERIAL		
50-100 ± 0.40	2.000-4.000 ± 0.016	JLIU	BCHEN	STEEL		
100-200 ± 0.50	4.000-8.000 ± 0.020	SHEET 1 OF 1		SCALE: 1.000	REV	
PROPRIETY ITEM - ALL INFORMATION DISCLOSED HEREON IS CONFIDENTIAL AND ALL RIGHTS PATENT AND OTHERWISE ARE RESERVED BY LEEEO TECHNOLOGIES CORPORATION				A3		